



IC-M330GE

(With GPS Receiver)

IC-M330E

(Without GPS Receiver)

VHF MARINE TRANSCEIVERS

Top Performance Ultra Compact VHF



MADE IN
JAPAN

IC-M330GE Black version

- Ultra Compact Body (W x H x D; 156.5 x 66.5 x 110.1 mm)
- Easy Installation in Limited Space
- Easy-to-Read Full Dot-Matrix Display
- Intuitive User Interface
- New Speaker Delivers Dynamic, Clear Audio
- Class Leading Receiver Performance (IMD and Selectivity: more than 70 dB)
- Built-in Class D DSC with a CH70 Dedicated Receiver (IC-M330GE meets ITU-R M.493-14)
- GPS Receiver Built-in with Supplied GPS Antenna (IC-M330GE)
- AquaQuake™ Draining Function
- IPX7 Waterproof Construction (1 m depth of water for 30 minutes)
- Made in Japan Quality and Reliability



IC-M330GE White version

Ultra Compact Body, Flexible Installation

The compact IC-M330E/GE measures only 156.5 (W) × 66.5 (H) × 110.1 (D) mm making it ideal for a cockpit where space is limited.

Intuitive User Interface

A combination of the directional keypad and soft keys provides simple, smooth operation. Most used functions are assigned to soft keys for quick one push function access.

New Speaker Delivers Dynamic, Clear Audio

A newly designed speaker delivers distortion-free clear audio even at full volume. It provides dynamic and clear audio over a wide bass and treble range.

Class Leading Receiver Performance

The IC-M330E/GE's receiver provides reliable communication in RF busy environment like a marina. (Selectivity and IMD: more than 70 dB)

Built-in Class D DSC

The radio monitors CH 70 continuously, even while you are receiving another channel. DSC functions include: distress, individual, group, all ships, urgency, safety, position request/report, polling request and DSC test calls.

GPS Receiver Built-in (IC-M330GE)

A built-in GPS receiver provides your location, bearing and speed by using information from GPS, GLONASS and SBAS. The acquired position information can be used for DSC calls.



Supplied GPS antenna

Made in Japan Quality and Reliability

All Icom products are tested to pass rigorous in-house tests as well as environmental tests at the Wakayama Icom plant before shipping. Our world-leading products and quality is tradition.

And More

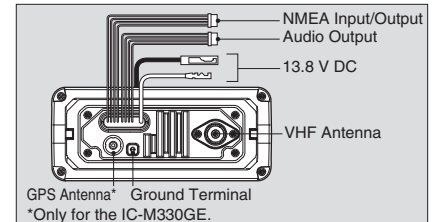
- IPX7 waterproof (1 m depth of water for 30 minutes)
- AquaQuake™ prevents audio degradation from a water-logged speaker
- Common NMEA interface for external GPS/NAV connection
- MA-500TR Class B AIS transponder compatible
- Tag scan and favorite channel functions
- Dual/tri-watch function for monitoring CH16 and/or call channel
- Priority scan function • Display and keypad backlighting
- External speaker connection
- 3-digit or 4-digit channel display selectable
- Supplied hand microphone, HM-235B/W, with channel up/down keys and a CH16/Call channel key

OPTIONS



HM-235B/W
HAND MICROPHONE
Same as supplied.

REAR PANEL VIEW



SPECIFICATIONS

GENERAL		
Frequency range	Tx	156.000–162.000 MHz
	Rx	156.000–163.425 MHz
	CH70	156.525 MHz
Usable channels	INT, USA* channels * Available depending on version	
Type of emission	16K0G3E (FM), 16K0G2B (DSC)	
Power supply requirement	13.8 V DC nominal (10.8–15.6 V DC)	
Current drain		
	Tx 25 W output	5 A
	Rx Max. audio	1 A
Operating temperature range	–20°C to +60°C	
Antenna impedance	50 Ω (SO-239)	
Dimensions (W × H × D) (projections not included)	156.5 × 66.5 × 110.1 mm	
Weight (approx.)	730 g	
NMEA formats	In	RMC, GGA, GNS, GLL, VTG
	Out	DSC, DSE, RMC, GSA, GSV
TRANSMITTER		
Output power	25 W, 1 W	
Max. frequency deviation	±5.0 kHz	
Frequency stability	Less than ±0.75 kHz	
Spurious emissions	Less than 0.25 μW	

RECEIVER		
Sensitivity	Main	–5 dBμ emf typ. (20 dB SINAD)
	DSC	–5 dBμ emf typ. (1% BER)
Squelch sensitivity	Main	Less than –2 dBμ emf
Adjacent channel selectivity	Main	More than 70 dB
	DSC	More than 73 dBμ emf (1% BER)
Spurious response	Main	More than 70 dB
	DSC	More than 73 dBμ emf (1% BER)
Intermodulation	Main	More than 70 dB
	DSC	More than 68 dBμ emf (1% BER)
Hum and noise	More than 40 dB	
Audio output power (at 10% distortion, 4 Ω load)	More than 2 W	

Measurements made in accordance with EN 301 025-2, -3. All stated specifications are subject to change without notice or obligation.

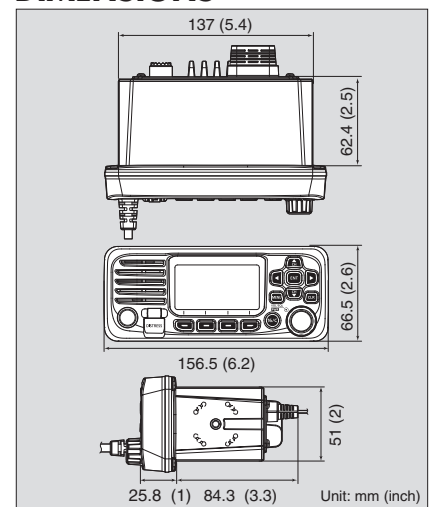
Applicable IP Rating

Ingress Protection Standard	
Water	IPX7 (Waterproof protection)

Supplied accessories:

- HM-235B/W hand microphone
 - DC power cable
 - Mounting bracket kit
 - GPS antenna (5 m cable)*
- * Only for the IC-M330GE.

DIMENSIONS



Icom, Icom Inc. and Icom logo are registered trademarks of Icom Incorporated (Japan) in Japan, the United States, the United Kingdom, Germany, France, Spain, Russia, Australia, New Zealand and/or other countries. AQUAQUAKE is a trademark of Icom Inc. (Japan). All other trademarks are the properties of their respective holders.

Icom Inc.

1-1-32, Kamiminami, Hirano-Ku, Osaka 547-0003, Japan Phone: +81 (06) 6793 5302 Fax: +81 (06) 6793 0013

www.icom.co.jp/world

Count on us!

Icom America Inc.

12421 Willows Road NE,
Kirkland, WA 98034, U.S.A.
Phone: +1 (425) 454-8155
Fax: +1 (425) 454-1509
E-mail: sales@icomamerica.com
URL: <http://www.icomamerica.com>

Icom Canada

Glenwood Centre #150-6165
Highway 17A, Delta, B.C.,
V4K 5B8, Canada
Phone: +1 (604) 952-4266
Fax: +1 (604) 952-0090
E-mail: info@icomcanada.com
URL: <http://www.icomcanada.com>

Icom Brazil

Rua Itororó, 444 Padre Eustáquio
Belo Horizonte MG,
CEP: 30720-450, Brazil
Phone: +55 (31) 3582 8847
Fax: +55 (31) 3582 8987
E-mail: sales@icombrasil.com

Icom (Europe) GmbH

Communication Equipment
Auf der Krautweide 24
65812 Bad Soden am Taunus, Germany
Phone: +49 (6196) 76685-0
Fax: +49 (6196) 76685-50
E-mail: info@icom-europe.com
URL: <http://www.icomeurope.com>

Icom Spain S.L.

Ctra. Rubi, No. 88 "Edificio Can Castanyer"
Bajos A 08174, Sant Cugat del Valles,
Barcelona, Spain
Phone: +34 (93) 590 26 70
Fax: +34 (93) 589 04 46
E-mail: icom@icomspain.com
URL: <http://www.icomspain.com>

Icom (UK) Ltd.

Blacksole House, Altira Park,
Herne Bay, Kent, CT6 6GZ, U.K.
Phone: +44 (0) 1227 741741
Fax: +44 (0) 1227 741742
E-mail: info@icomuk.co.uk
URL: <http://www.icomuk.co.uk>

Icom France s.a.s.

Zac de la Plaine,
1 Rue Brindejone des Moulinais, BP 45804,
31505 Toulouse Cedex 5, France
Phone: +33 (5) 61 36 03 03
Fax: +33 (5) 61 36 03 00
E-mail: icom@icom-france.com
URL: <http://www.icom-france.com>

Icom (Australia) Pty. Ltd.

Unit 1 / 103 Garden Road,
Clayton, VIC 3168 Australia
Phone: +61 (03) 9549 7500
Fax: +61 (03) 9549 7505
E-mail: sales@icom.net.au
URL: <http://www.icom.net.au>

Your local distributor/dealer: